

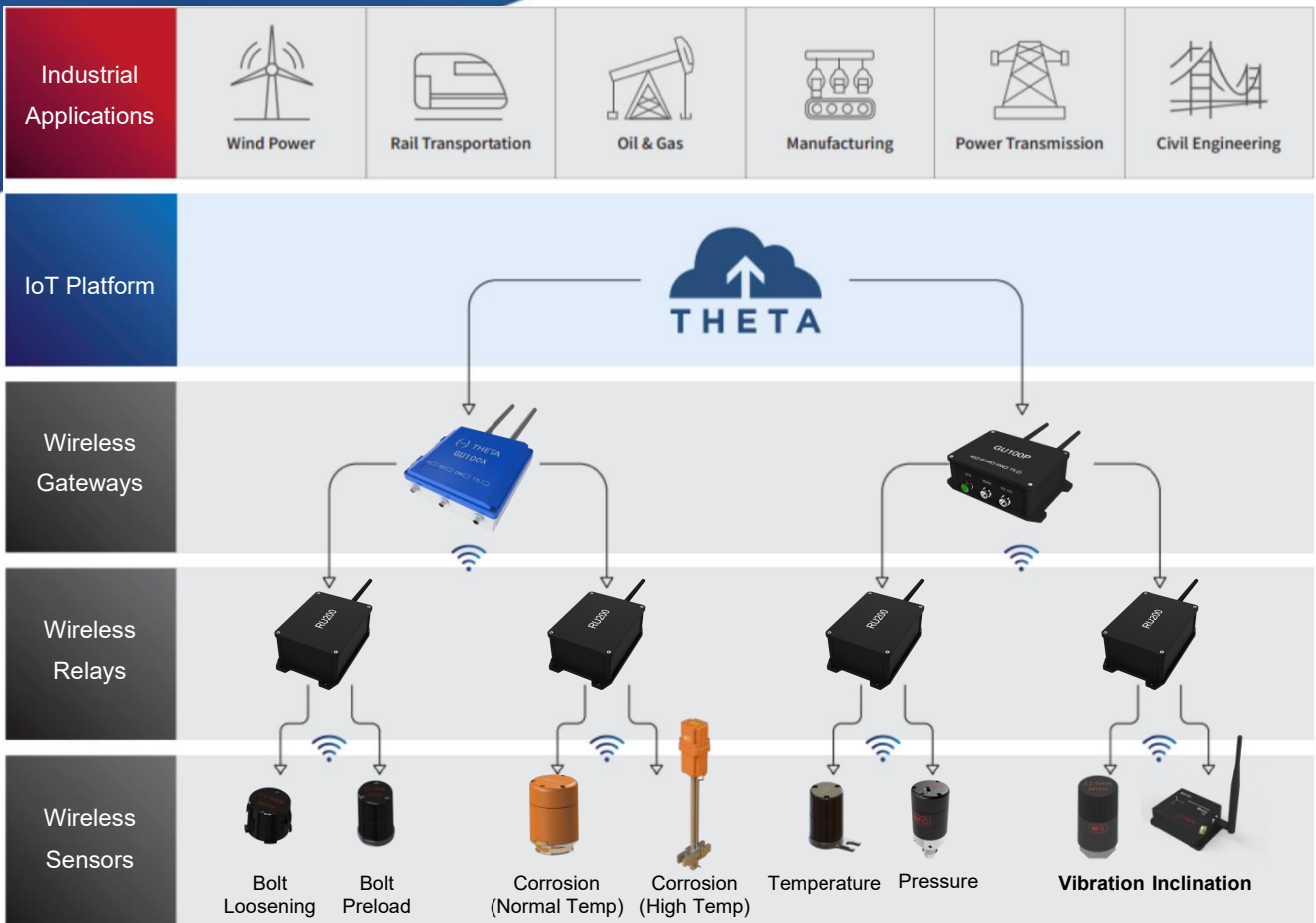
RU Series Wireless Relays

The RU series wireless relays are industrial-grade devices designed to extend the range and improve the reliability of Bluetooth wireless sensor networks. These relays serve as communication nodes, handling both uplink and downlink data transmission. In the uplink, they receive data from sensor nodes and forward it to the gateway or other relay nodes. In the downlink, they transmit data from the gateway to destination sensors or additional relay nodes.

When used in conjunction with the GU series gateway, the relays significantly enhance the coverage range of the wireless sensor network. By strategically placing the relay nodes, the network can effectively address long distances or weak signals between sensor nodes, ensuring reliable data transmission and stable network performance.

The relays are designed for low power consumption and can be powered by batteries, with a battery life of 5 years or more under normal usage. This enables cable-free installation, simplifying the deployment process while ensuring long-term operational efficiency.

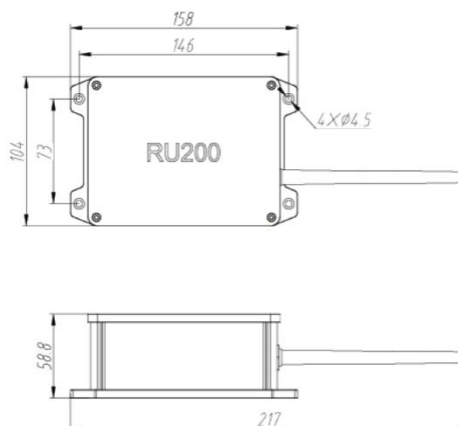
The relays offer exceptional resistance to interference and a high signal-to-noise ratio, ensuring stable and reliable communication. They have been proven to operate reliably in demanding industrial environments, providing a dependable foundation for large-scale wireless sensor deployments.



Bluetooth Wireless Sensor Network

Specifications

Product Model	RU200	RU200X
Wireless Sensor Network	Bluetooth 5.0	
Line-of-sight Range	300 meters with sensor node 600 meters with gateway, relay, or sensor with enhanced Bluetooth	
Number of Nodes	64 (including gateway and relay)	
Transmit Power	20dBm	
Batteries	38000mAh Li/SOCL2 ER34615 x 2; replaceable	
Dimensions	158mm x 104mm x 59mm (L x W x H)	
Weight	1.0kg	
Operating Temperature	-40~85°C	
Operating Humidity	10%~90% RH	
Enclosure	Metal	
Ingress Protection	IP67	
Explosion Protection	-	EX ia IIC T4 Ga Ex II 1G Ex ia IIC T4 Ga (ATEX)
Mounting	Bolt fastening or strapping	



RU200/RU200X